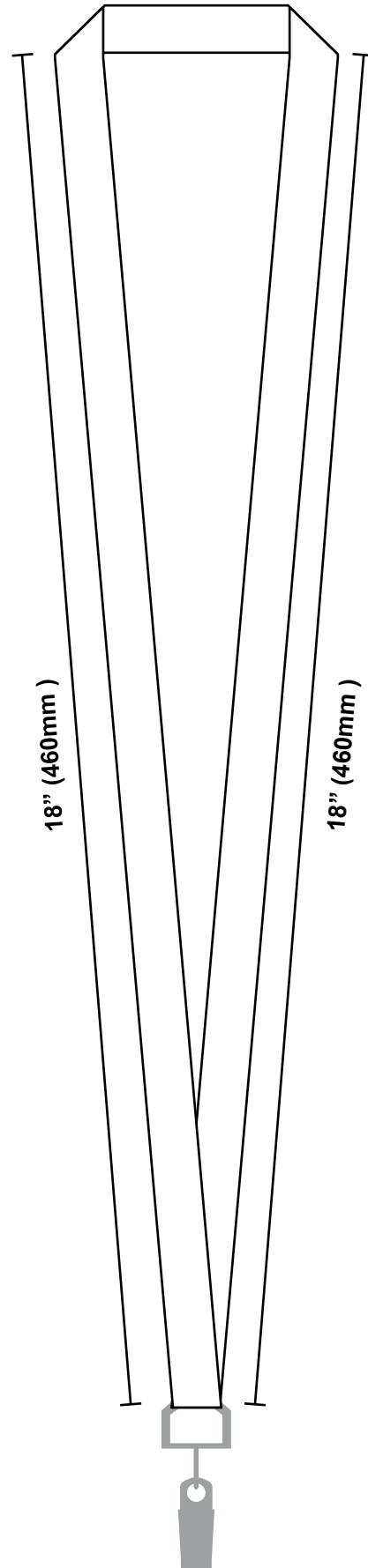
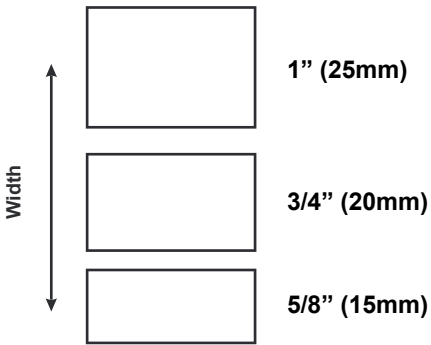


Choose Width:



How to upload your own design:

1. Insert your designs on the corresponding width, side and desired spot.
2. Designs must be within the outlining.
3. Upload your PDF template.